

ATTENUATORS

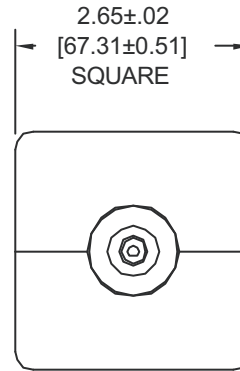
Type N, up to 18 GHz, 25 Watts

SPECIFICATIONS:

Models: XXN25W-XX, XXN25W-XXF, XXN25W-XXM

RoHS
Compliant

Electrical:			
Frequency Range	DC - 18.0 GHz		
Standard Freq. Values	6 & 18 GHz		
Standard dB Values*	3, 6, 10, 20, 30 & 40 dB		
Attenuation Accuracy	DC - 6 GHz	6 - 12.4 GHz	12.4 - 18 GHz
3 - 6 dB	±0.30 dB	±0.50 dB	±0.75 dB
7 - 20 dB	±0.50 dB	±0.75 dB	±1.00 dB
21 - 30 dB	±0.75 dB	±1.00 dB	±1.25 dB
31 - 40 dB	±1.00 dB	±1.25 dB	±1.50 dB
VSWR			
DC - 6 GHz	1.20:1 Max.		
6 - 12.4 GHz	1.30:1 Max.		
12.4 - 18 GHz	1.40:1 Max.		
Input Power	25 Watts Avg. @ 25°C Derated Linearly to 5 Watts @ +125°C		
Peak Power	500 Watts Max. (5µSec Pulse, .05% Duty Cycle)		
Impedance	50 Ohms		
Operating Temp Range	-65°C to +125°C		
Mechanical:			
Type N Connectors	Passivated Stainless Steel <small>Mates with MILSTD-348</small>		
Conductors	Gold Plated Beryllium Copper		
Housing	Anodized Aluminum		



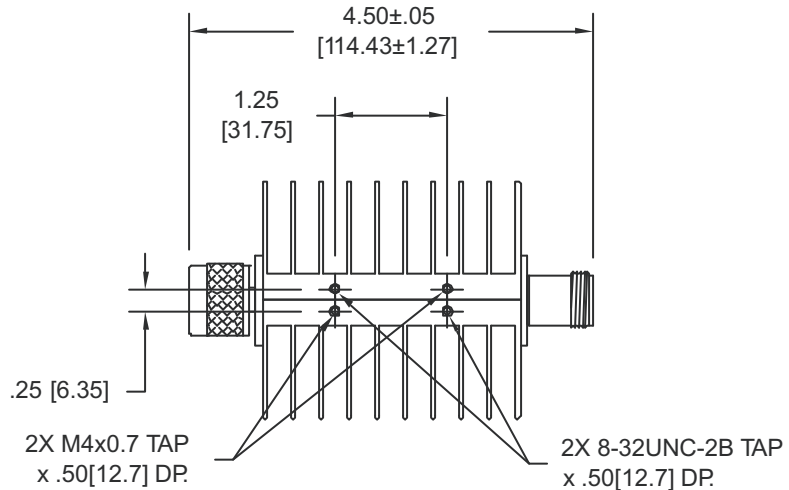
END VIEW
TYPICAL

Units must be Mounted in such a way as to Allow for Free Air Flow Around fins to Insure Performance

Model Number: **XXN25W-XX**
Male/Female Connectors
Length: 4.50 ±.05 [114.3 ±1.3]
Pictured

Model Number: **XXN25W-XXF**
Female/Female Connectors
Length: 4.58 ±.05 [116.3 ±1.3]

Model Number: **XXN25W-XXM**
Male/Male Connectors
Length: 4.41 ±.05 [112.0 ±1.3]



HOW TO ORDER:

Model Number: **XXN25W-XXY**

Freq. Range
6 = DC - 6 GHz
18 = DC - 18 GHz

Connector Configuration
= Male/Female
F = Fem/Fem
M = Male/Male

dB Value

Ordering Examples:

Model Number: **18N25W-20**
DC - 18 GHz; 20 dB; Type N - Male/Fem

Model Number: **6N25W-03F**
DC - 6 GHz; 3 dB; Type N - Fem/Fem

Note: Dimensions in Brackets are Expressed in Millimeters and are for Reference Only.
*Other dB values, units that operate over a more specific frequency band and/or offer very low return loss (VSWR) are also available.

XXN25W-ATT: REV L (M)



Aeroflex / Inmet, Inc. • 300 Dino Drive, Ann Arbor, MI 48103 • U.S.A.
888-244-6638 or 734-426-5553 • FAX: 734-426-5557
www.aeroflex.com/inmet • inmet@aeroflex.com