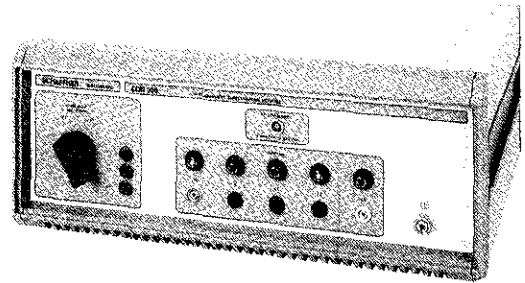


## Fast Transient/ Burst-Coupling Network CDN 300

- *Conforms to IEC 801-4*
- *3-phase/16A, 3 x 420V+N+PE*
- *Decoupling attenuation > 40dB*
- *Arbitrary coupling combinations on all 5 conductors*
- *19"-housing available as table-top or rack version*



The CDN 300 is an auxiliary unit to be used with burst simulators and fast transient generators for pulse coupling into 3-phase mains supplies as specified in IEC 801-4.

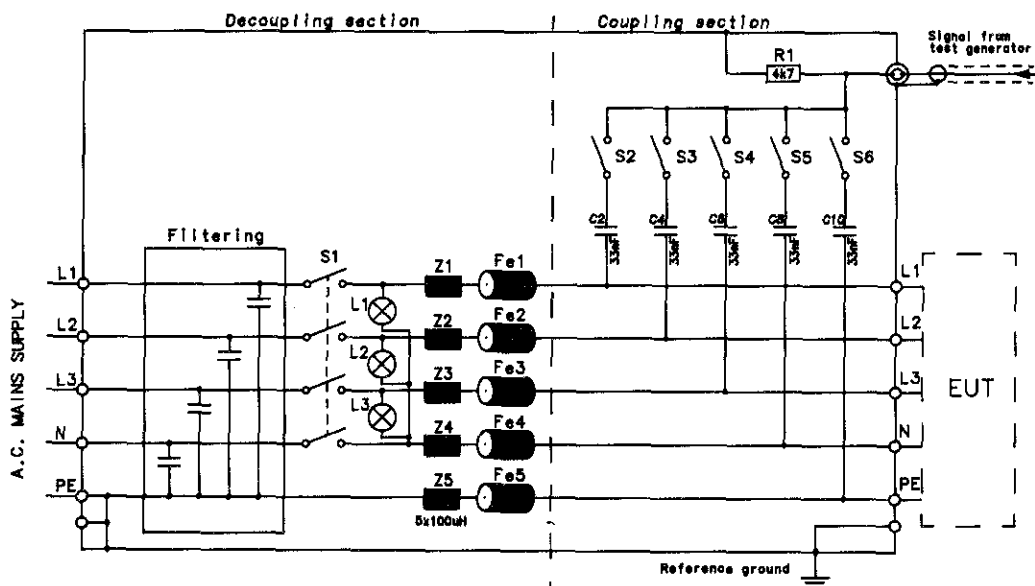
The equipment under test (EUT) is connected to the coupling network via safety plugs. The coupling mode of the interference signal is selected by means of push-buttons. Arbitrary combinations of coupling are possible on the five lines.

A built-in switch permits the EUT connection to be disconnected from the mains supply. Lamps indicate the presence of a voltage at this connection.

Because of the prescribed coupling capacitances, the instrument can exhibit a rather high earth leakage current and hence the mains input is equipped with screw-terminals for permanent connections.

The CDN 300 is ideally designed to be used with the following SCHAFFNER instruments: NSG 1025, NSG 625, NSG 622, NSG 225 and NSG 222.

### Principle of operation



**Technical specifications**

System	3-phase coupling network for fast transients and bursts (4-wire + protective earth)		
EUT supply	3 x 420 Vac, 50/60/400 Hz, 16 A max.		
Pulse input	Specified for pulses with:	$t_r$	$\geq 4$ ns
		$t_w$	$\leq 100$ ns
		$V_p$	$\leq 5000$ V
		$R_i$	$\geq 50 \Omega$
Asym. decoupling attenuation and insertion attenuation of the mains filter	0.1 ... 0.5MHz	>20dB	
	0.5 ... 100MHz	>40dB	
	2 ... 30MHz	>60dB	
Temperature range	Operation:	-10...+40°C	
	Storage:	-10...+70°C	
Dimensions	Height:	183mm	(7.2")
	Width:	449mm	(17.7")
	Depth:	361mm	(14.2")
Weight	8kg (17.6 lbs) approx.		

**Ordering information**

CDN 300      F/T Burst Coupling Network, 3-phase  
Delivered including HV-cable and universal connectors for EUT.

**Optional accessory**

INA 160      Brackets for mounting in a 19" rack

Subject to change without notice

**SCHAFFNER**

Subsidiary companies:

Schaffner Elektronik AG  
CH-4708 Luterbach  
Switzerland  
Telefon (065) 411181  
Telex 934 491 scha ch  
Telefax (065) 42 14 04

**Schweiz:**  
ALTRAC AG  
Mühlehaldestrasse 6  
CH-8953 Dietikon  
Telefon (01) 7414644  
Telex 825 255 atac  
Telefax (01) 7411960

**Deutschland:**  
Schaffner Elektronik GmbH  
Rheinstrasse 122  
D-7500 Karlsruhe 21  
Telefon (0721) 56 91-0  
Telex 7 826 671 schaf d  
Telefax (0721) 56 91-10

**France:**  
Schaffner S.A.  
5, rue Michel Carré  
F-95100 Argenteuil  
Téléphone (13) 947 86 36  
Télex 608 723 schafra f  
Télécopieur (13) 947 02 28

**North America:**  
Schaffner EMC Inc.  
825 Lehigh Av.  
Union N.J. 07083  
Phone (908) 851 0644  
Toll free: 800 367 5566  
Tx 910240 2985 schaff UQ  
Telefax (908) 467 1330

**United Kingdom:**  
Schaffner EMC Limited  
Headley Park Area 10  
Headley Road East  
Woodley, Reading  
Berkshire RG5 4SW  
Phone (0734) 69 7179  
Telex 848 235 schemc g  
Telefax (0734) 699 846