



9611

Switch & Distribution Unit

KEY FEATURES

- Automatic Selection of Redundant Signal Inputs
- Twelve Signal Outputs
- Flexible Signal Configuration
- RS-232/422 Control Port
- Up To 32 Units On One Common Control Port

Symmetricom's 9611 Switch & Distribution Unit is an intelligent switching, monitoring and distribution system, packaged in a 1U rack mount chassis. It includes a dual input A-B switch that provides a powerful redundant capability.

The internal microprocessor can be set up to switch on a number of criteria (i.e., voltage level and period detection). Internally, the unit can be configured to direct selected signals to up to twelve independently buffered outputs. Each output can be set for internal monitoring of the output signals. In addition, each output system can be set up as a signal monitor. Any single-ended type signal can be connected to any output line and that line can be configured to simply monitor the signal. The input signal can be connected to any output buffer for additional distribution of the input signal.

The internal microprocessor is controlled, configured and monitored by means of an RS-232 input/output port. Switch status as well as output status is reported on the front panel for immediate feedback of information to the operator as well as via the RS-232 port. A second connector on the rear panel allows up to thirty-two units to be daisy-chained and controlled via a single serial port on the computer.

This universal and highly versatile instrument is unequalled in the industry. No other low cost system offers these capabilities in a single product.



9611 Switch & Distribution Unit

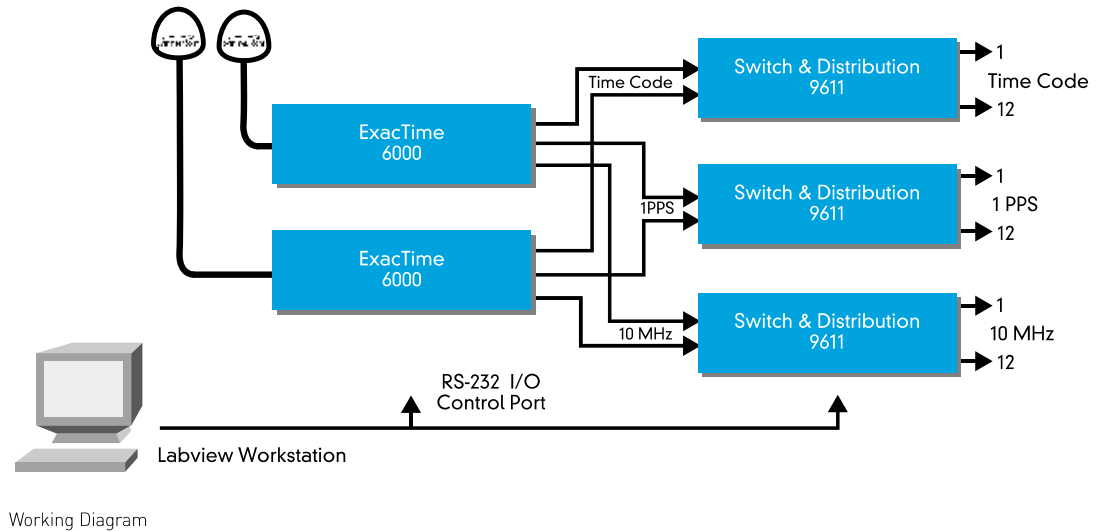
9611 Specifications

ELECTRICAL SPECIFICATIONS

- Output levels: 0-6 volts p-p, DC-10 MHz
(3 volts p-p above 5 MHz)
- Output impedance: 10 Ω , 50 Ω or 600 Ω
(selectable)
- Input levels: 0-6 volts p-p, DC-10 MHz
- Input impedance: 50 Ω or 1K, selectable
- Time period selection
Range: 300 ns to 100 seconds in decade steps
- Distortion: Total harmonic at 10MHz, 3 V P-P into 50 Ω
Less than 0.5%
Spurs less than 60 dBc above 1KHz
- Phase noise [-dBVrms/ \pm Hz]: At 10MHz, 3 V P-P into 50 Ω when using channel
A or B as input
Less than 102 @ 1Hz
Less than 125 @ 10Hz
Less than 140 @ 100Hz
Less than 145 @ 1KHz
Less than 150 @ 10KHz
Less than 160 @ 100KHz
Spurs less than -120 dB @ 1KHz
- Crosstalk: Channel B into Channel A, less than 40dB at
10MHz.
- Reverse isolation: Channel 1 through 12 to any other channels 1
through 12, less than 60dB at 10MHz.
- Hum noise levels: Less than -70dB

ENVIRONMENTAL & PHYSICAL SPECIFICATIONS

- Temperature
Operating: 0° C to 50° C
Non-operating: -40° C to +70° C
- Humidity (non-condensing)
Operating: 10% to 90%
Non-operating: 5% to 95%
- Altitude
Operating: 0 to 25,000'
Non-operating: 0 to 40,000'
- Power requirements
AC input: 120 or 230 V AC, <10W
- Dimensions
Height: 1U (~1.73") (4.39 cm)
Width: 19" (48.26 cm)
Depth: 13" (32.02 cm)
- Weight: ~7.5 lbs. (3.37 Kg)



Rear View



SYMMETRICOM, INC.
 2300 Orchard Parkway
 San Jose, California
 95131-1017
 tel: 408.433.0910
 fax: 408.428.7896
 info@symmetricom.com
 www.symmetricom.com